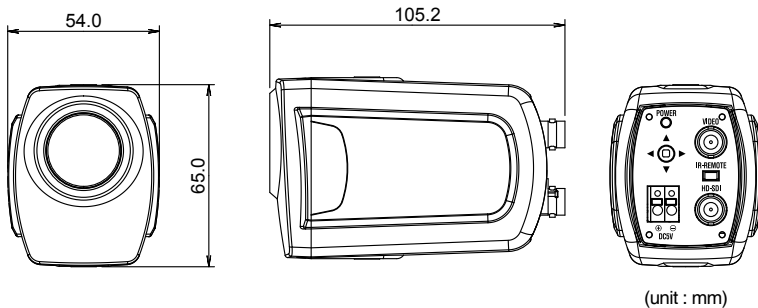


#### [ Dimensions ]



#### [ Features ]

- 2.0 Megapixel Progressive Scan Camera
- Full HD-1920x1080 30fps
- HD-SDI out
- x10 optical auto-focus zoom lens
- WDR (Wide Dynamic Range)
- Convenient Joystick controller at rear side
- RS-485 / Pelco-D protocol for remote control
- \* Easy installation  
(using conventional CCTV cable - Coaxial Cable)



#### [ Specifications ]

<b>Features</b>	Auto focus 10X Optical zoom							
	Full HD image	1920 x 1080 / 30fps						
		1280 x 720 / 60fps						
	Multi-video data outputs	HD-SDI	YC24bit	Frame format		Connector		
				1920 x 1080	30fps	BNC		
		TV composit	Analog composit	NTSC or PAL		BNC		
	16X Digital zoom							
	WDR	OSD	Private mask (step-less)					
	Motion detection (3 x 4 = 12 evaluation windows)							
	Control	Multi control protocol		Auto detection	Pelco-D	Pelco-P	VISCA	ACECAP
Port		RS485		TXD / RXD TTL level High 2.0V / Low 0.8V @ 5V				
Flicker reduction (50Hz / 60Hz)		Defect pixels correction		Back light correction		Noise reduction		
<b>Specification</b>	Power	DC 5.0 Volts / max.1100mA						
	Image sensor	1/2.5 inch primary color CMOS 2M pixels sensor						
	Lens	Image format		Focal length		F-stop		
		1/3.6 inch		4.5mm - 45mm		F1.8 - F2.2		
		Field angle (degree)			Hirozontal	Vertical	Diagonal	@1080/30p
			WIDE	50.3	29.6	56.6		
	TELE	5.4	3.0	6.2				
	Light source estimation Auto White Balance (AWB) Tungsten (3000K) - Day light shade (7000K)							
	Auto Exposure (AE)							
	Operating temperature		-10°C - +60°C					
Weight	615 g	Dimension (W x H x D)		54.0mm x 65.0mm x 105.2mm				